


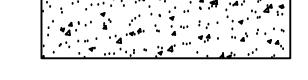
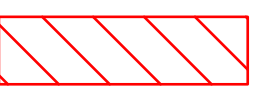





LEGEND

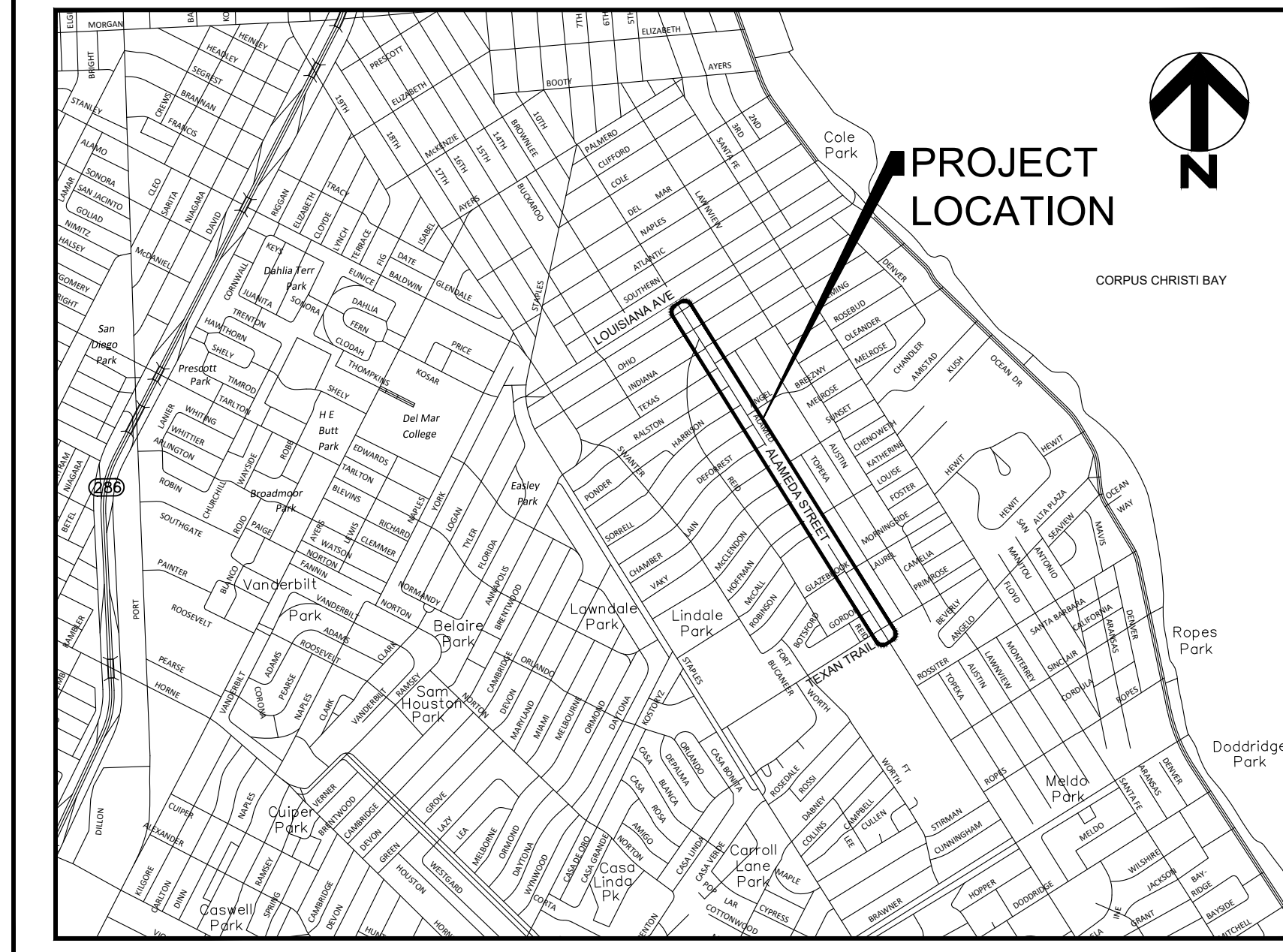
-  PROPOSED PAVEMENT
-  PROPOSED SIDEWALK
-  PROPOSED DRIVEWAY
-  PROPOSED CONCRETE BUS PAD
-  PHASE 1A WORK ZONE
-  PHASE 1B WORK ZONE
-  PHASE 2A WORK ZONE
-  PHASE 2B WORK ZONE



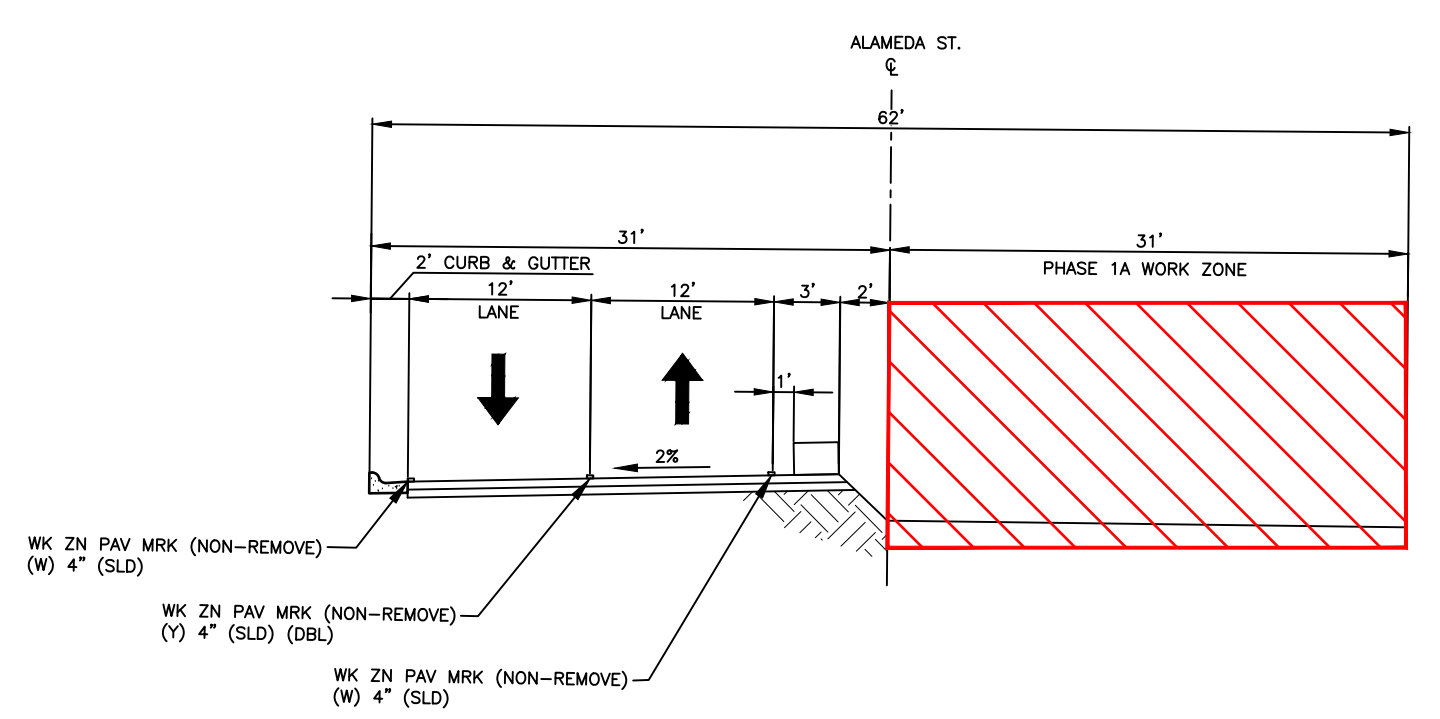
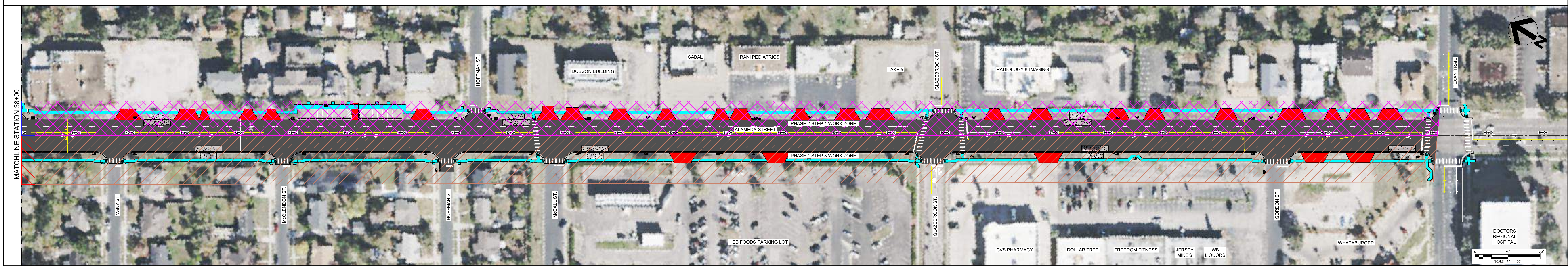
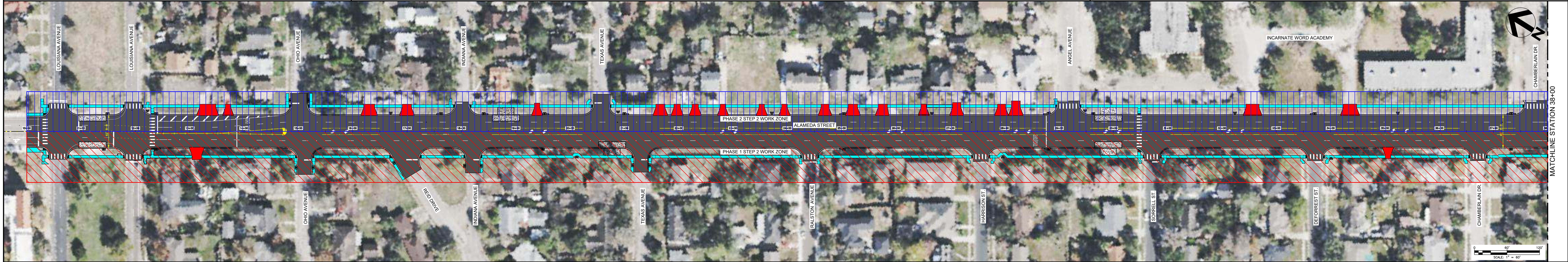
ALAMEDA STREET

FROM LOUISIANA AVE TO CHAMBERLAIN ST (BOND 2018)
CHAMBERLAIN ST TO TEXAN TRAIL (BOND 2020)

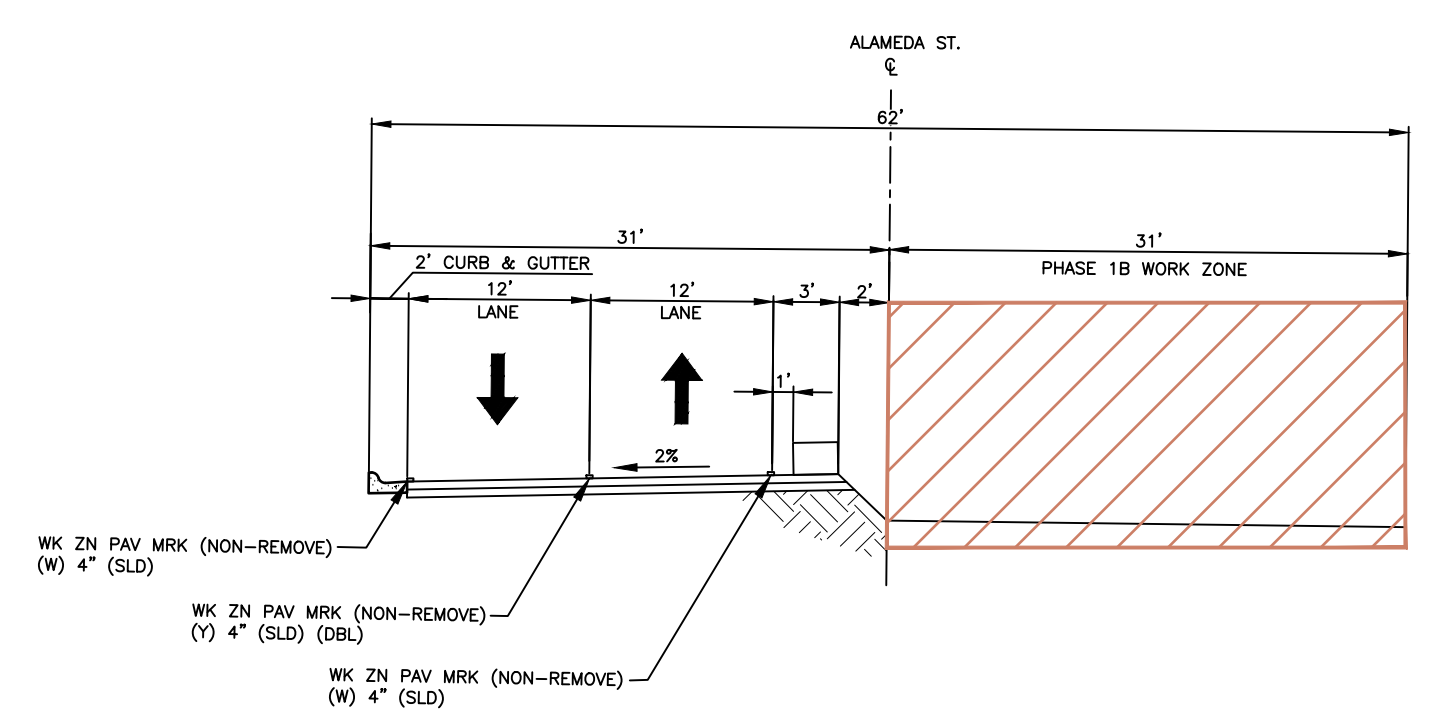
TRAFFIC CONTROL PLAN PHASING LAYOUT



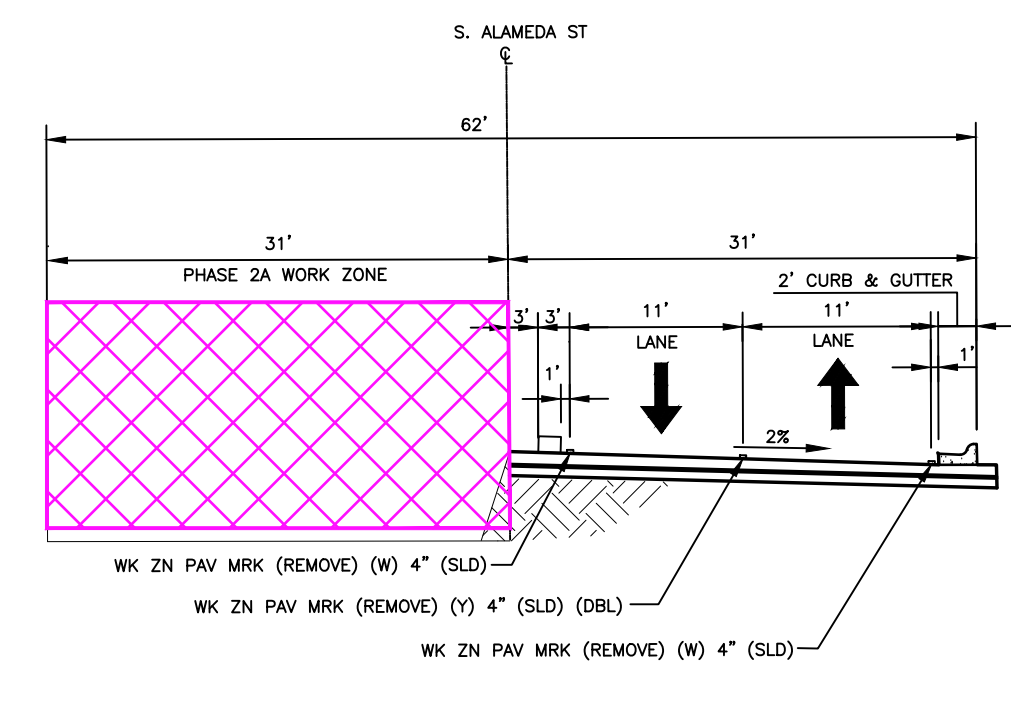
VICINITY MAP
SCALE: 1" = 2000'



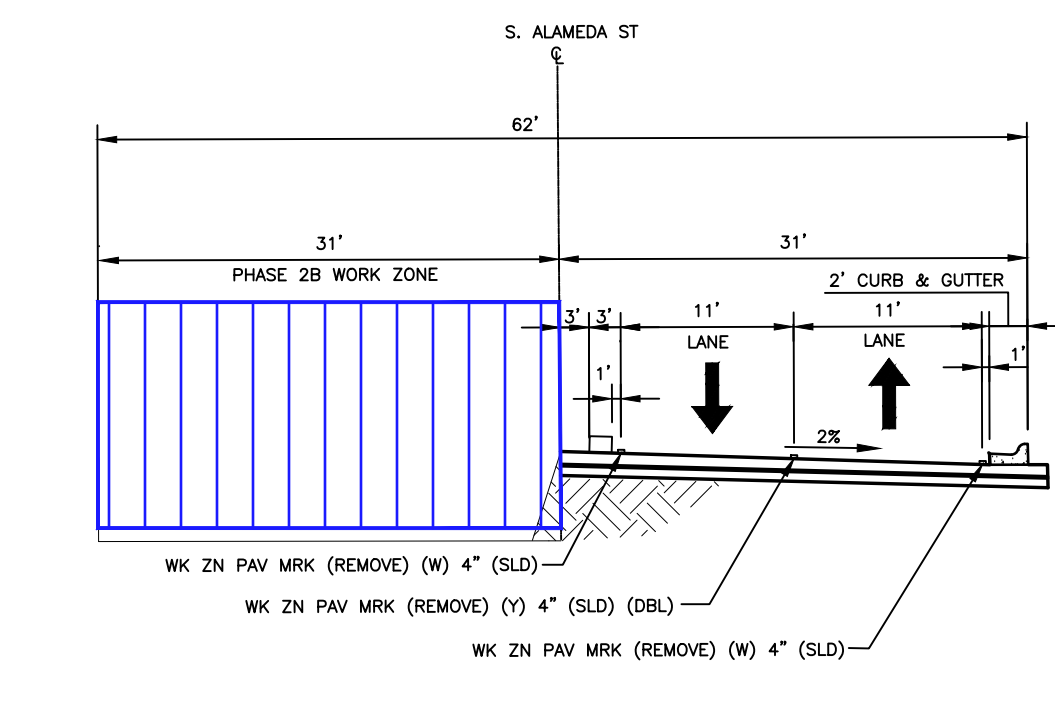
PHASE 1A WORK ZONE



PHASE 1B WORK ZONE



PHASE 2A WORK ZONE



PHASE 2B WORK ZONE

CONSTRUCTION PHASE TYPICAL SECTIONS